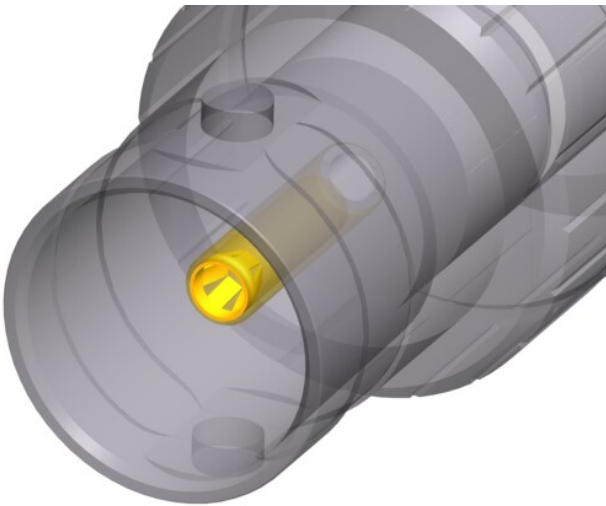




## NBB75DFGB

Grounded BNC chassis connector, feedthrough in black D-shape housing

Neutrik's BNC chassis connectors offer a true 75  $\Omega$  design for serial and digital (HD) signals. The machined brass connector body provides an extremely rugged and non-abrasive connection over long term use and is in addition recessed and therefore well protected in a D-shape housing (audio industry standard).



### Features & Benefits

- Gold plated cage type center contact
- True 75  $\Omega$  design meets the stringent HD requirements
- Grounded panel mount
- Standard D-shape housing - provides flush mounting and protection from damage
- Color coding possible

## **New cage type contact**

- Closed contact design - extremely robust
- Gold plated cage type clip - best possible shielding and lowest contact resistance

## Technical Information

| Product                |           |
|------------------------|-----------|
| <b>Title</b>           | NBB75DFGB |
| <b>Connection Type</b> | BNC 75 Ω  |
| <b>Gender</b>          | female    |

| Electrical                   |  |
|------------------------------|--|
| <b>Signal Type</b>           | HD, SDI, Video, AES/EBU, Composit, YUV, RGB, RGBH, RGBHV                         |
| <b>Contact resistance</b>    | ≤ 3 mΩ (inner)   |
| <b>Contact resistance</b>    | ≤ 2 mΩ (outer)   |
| <b>Dielectric strength</b>   | 1,5 kVdc   |
| <b>Impedance</b>             | 75 Ω   |
| <b>Insulation resistance</b> | > 5 GΩ   |
| <b>Rated voltage</b>         | <50 V  |
| <b>VSWR</b>                  | ≤1.03/>37 dB up to 1 GHz<br>≤1.05/>32 dB up to 2 GHz<br>≤1.08/>28 dB up to 3 Ghz |

| Mechanical                |                      |
|---------------------------|----------------------|
| <b>Insertion force</b>    | < 25 N               |
| <b>Lifetime</b>           | > 1000 mating cycles |
| <b>Wiresize</b>           |                      |
| <b>Locking device</b>     | Bayonett             |
| <b>Mounting direction</b> | Front mounting       |
| <b>Chassis shape</b>      | D                    |

| Material               |  |
|------------------------|--|
| <b>Contacts</b>        | Brass (CuZn39Pb3), 0.2 µm AuCo (Center contact)  |
| <b>Insert</b>          | PTFE   |
| <b>Shell</b>           | Polyacetal (POM) (Insulation Sheell)             |
| <b>Shell plating</b>   | Optalloy®  |
| <b>D-Shape housing</b> | Zinc diecast (ZnAl4Cu1) gal black chrome plating |

| Environmental            |                  |
|--------------------------|------------------|
| <b>Temperature range</b> | -30 °C to +85 °C |